

## All Base cabinets have Square doors.

- ▶ Cabinets use standard natural maple interior, excluding white which has a white interior.
- ▶ Thermofoil and DLV will not withstand sustained exposure to temperatures in excess of 170°F. If using next to a self cleaning oven, it is recommended that you use at least a 1" inch Filler on each side of the oven.

### NOTES ✓

- ▶ B09 has one door and one built-in tray divider. Nantucket and Grayson B09 cabinet doors utilize recessed center panels.
- ▶ B12-B24 have one drawer, one door, and one half-depth fixed shelf.
- ▶ B24DD has one drawer, two doors, and one half-depth fixed shelf.
- ▶ B27 has one drawer, two doors with center stile attached to left door, and one half-depth fixed shelf.
- ▶ B30-B48 have two drawers, two doors, and one half-depth fixed shelf.
- ▶ Front Only Base cabinets are available in standard-depth Base cabinets (not available in Sink Bases).

### DESIGN SOLUTIONS

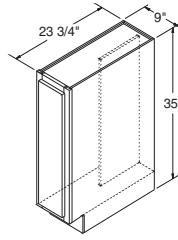
Work Zone **2** Preparation.

Work Zone **3** Cooking.

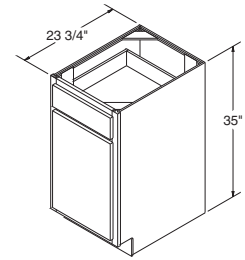
## Base Cabinets, 35" High, 23<sup>3</sup>/<sub>4</sub>" Deep

### Base Single Door

**B09**

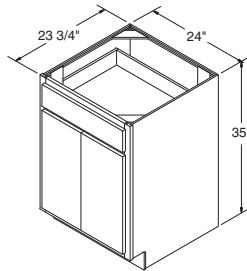


**B12** <sup>FX</sup>  
**B15** <sup>FX</sup>  
**B18** <sup>FX</sup>  
**B21** <sup>FX</sup>  
**B24** <sup>FX</sup>

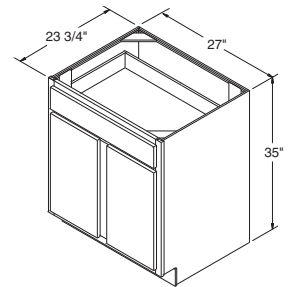


### Base Double Door

**B24DD** <sup>FX</sup>

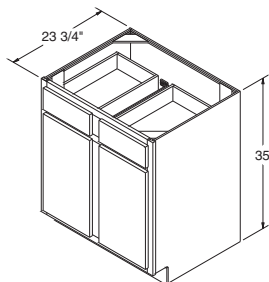


**B27** <sup>FX</sup>



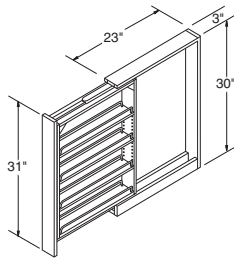
### Base Double Door

**B30** <sup>FX</sup>  
**B33** <sup>FX</sup>  
**B36** <sup>FX</sup>  
**B39** <sup>FX</sup>  
**B42** <sup>FX</sup>  
**B45** <sup>FX</sup>  
**B48** <sup>FX</sup>



**Base Filler Pullout Cabinet, 30" High, 3" Wide, 23" Deep**

**BFP03**



\* In order to allow sufficient clearance, cabinet requires 3 1/8" space between adjacent cabinet face frames. Spacers included for proper installation.

**NOTES** ✓

- ▶ Features a wood pullout unit with adjustable shelves, chrome rail sides, and Full Extension guides. Filler included, must be attached in the field.
- ▶ Recommend installation between two cabinets. Can be installed on the end of a run by using a 3/4" Refrigerator End Panel.

**DESIGN SOLUTIONS**

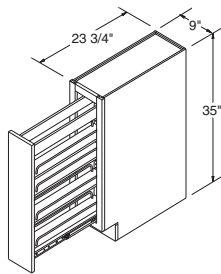
Work Zone **2** Preparation.

- ▶ Can be used with Split Turnings, Fluted Fillers, and Overlays.



**Base Pantry Pullout Cabinet, 35" High, 9" Wide, 23 3/4" Deep**

**BPP09**



**NOTES** ✓

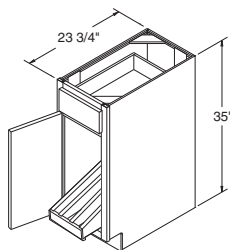
- ▶ All styles include a wood pullout unit with a clear topcoat. Pullout unit uses Full Extension guides.
- ▶ Nantucket and Grayson BPP09 cabinet doors utilize recessed center panels.

**DESIGN SOLUTIONS**

Work Zone **1** Food Storage.

**Base Cabinet with Roll Out Tray Divider, 35" High, 12" Wide, 23 3/4" Deep**

**B12DRO FX**



**NOTES** ✓

- ▶ Natural finish wood tray divider has three compartments with removable dividers. Divider operates on side-mount guides.

**DESIGN SOLUTIONS**

Work Zone **2** Preparation.

**NOTES** ✓

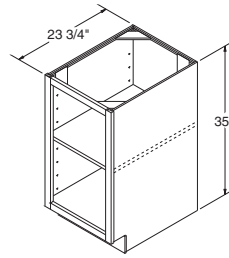
- ▶ Cabinets include matching Aristex® interior.
- ▶ Includes one 3/4" thick full-depth adjustable shelf.

**DESIGN SOLUTIONS**

Work Zone **5** Household Planning.

## Base Open Cabinets, 35" High, 23<sup>3/4</sup>" Deep

**BOL15**  
**BOL18**  
**BOL21**



**NOTES** ✓

- ▶ All Roll Tray cabinets include one half-depth fixed 1/2" thick shelf.
- ▶ Roll Tray construction is similar to furniture board drawer construction for Standard, Select, and Ply Select cabinets.
- ▶ B15RT–B24RT have one drawer, one door, and one Roll Tray.
- ▶ B24DDRT has one drawer, two doors, and one Roll Tray.
- ▶ B27RT has one drawer, two doors with center stile attached to left door, and one Roll Tray.
- ▶ Additional Roll Trays on page 167 may be ordered separately (TKIT).
- ▶ For Roll Tray Bumper Pads, please refer to page 168.

**DESIGN SOLUTIONS**

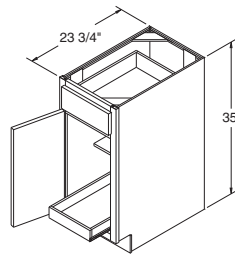
Work Zone **1** Food Storage.

Work Zone **3** Cooking.

## Base Cabinets with Roll Tray, 35" High, 23<sup>3/4</sup>" Deep

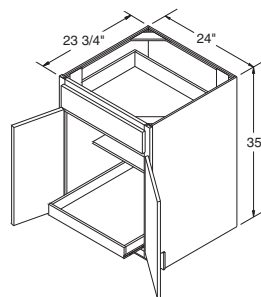
Base Single Door

**B15RT** <sup>FX</sup>  
**B18RT** <sup>FX</sup>  
**B21RT** <sup>FX</sup>  
**B24RT** <sup>FX</sup>

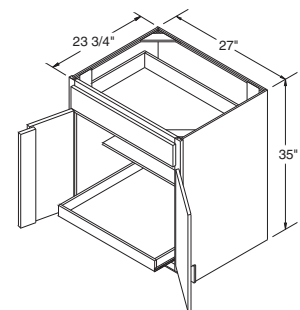


Base Double Door

**B24DDRT** <sup>FX</sup>



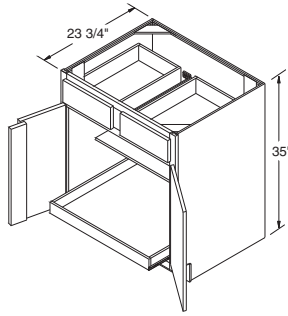
**B27RT** <sup>FX</sup>



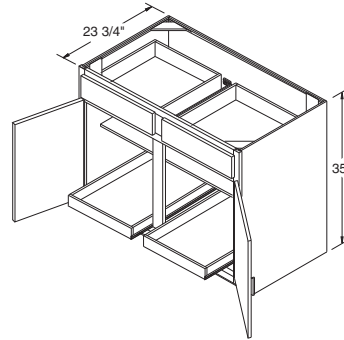
### Base Cabinets with Roll Tray, 35" High, 23<sup>3</sup>/<sub>4</sub>" Deep (continued)

Base Double Door

**B30RT** FX  
**B33RT** FX  
**B36RT** FX



**B39RT** FX  
**B42RT** FX  
**B45RT** FX  
**B48RT** FX



**NOTES** ✓

- ▶ All Roll Tray cabinets include one half-depth fixed 1/2" thick shelf.
- ▶ Roll Tray construction is similar to furniture board drawer construction for Standard, Select, and Ply Select cabinets.
- ▶ B30RT-B36RT have two drawers, two doors with center stile attached to left door, and one Roll Tray.
- ▶ B39RT-B48RT have two drawers, two doors with center stile, and two Roll Trays.
- ▶ Additional Roll Trays on page 167 may be ordered separately (TKIT).
- ▶ For Roll Tray Bumper Pads, please refer to page 168.

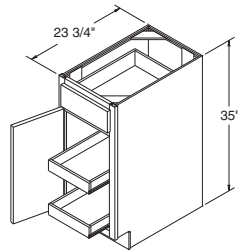
**DESIGN SOLUTIONS**

- Work Zone **1** Food Storage.  
Work Zone **3** Cooking.

### Base Cabinets with Double Roll Trays, 35" High, 23<sup>3</sup>/<sub>4</sub>" Deep

Base Single Door

**B15RT-2** FX  
**B18RT-2** FX  
**B21RT-2** FX  
**B24RT-2** FX



**NOTES** ✓

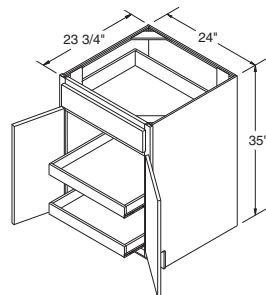
- ▶ Roll Tray construction is similar to furniture board drawer construction for Standard, Select, and Ply Select cabinets.
- ▶ B15RT-2-B24RT-2 have one drawer, one door, and two Roll Trays.
- ▶ B24DDRT-2 has one drawer, two doors, and two Roll Trays.
- ▶ B27RT-2 has one drawer, two doors with center stile attached to left door, and two Roll Trays.
- ▶ Additional Roll Trays on page 167 may be ordered separately (TKIT).
- ▶ For Roll Tray Bumper Pads, please refer to page 168.

**DESIGN SOLUTIONS**

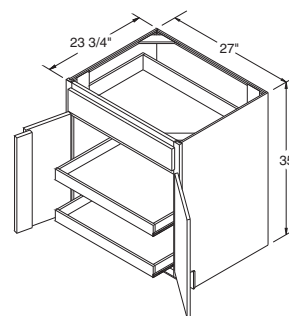
- Work Zone **1** Food Storage.  
Work Zone **3** Cooking.

Base Double Door

**B24DDRT-2** FX



**B27RT-2** FX



**NOTES** ✓

- ▶ Roll Tray construction is similar to furniture board drawer construction for Standard, Select, and Ply Select cabinets.
- ▶ B30RT-2-B36RT-2 have two drawers, two doors with center stile attached to left door, and two Roll Trays.
- ▶ B39RT-2-B48RT-2 have two drawers, two doors with center stile, and four Roll Trays.
- ▶ Additional Roll Trays on page 167 may be ordered separately (TKIT).
- ▶ For Roll Tray Bumper Pads, please refer to page 168.

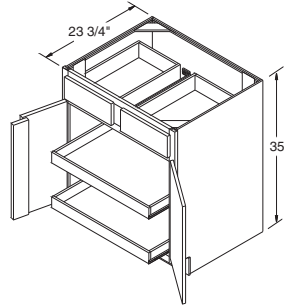
**DESIGN SOLUTIONS**

- Work Zone **1** Food Storage.
- Work Zone **3** Cooking.

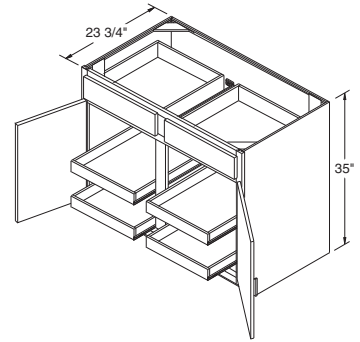
## Base Cabinets with Double Roll Trays, 35" High, 23<sup>3</sup>/<sub>4</sub>" Deep (continued)

Base Double Door

**B30RT-2** FX  
**B33RT-2** FX  
**B36RT-2** FX



**B39RT-2** FX  
**B42RT-2** FX  
**B45RT-2** FX  
**B48RT-2** FX



**NOTES** ✓

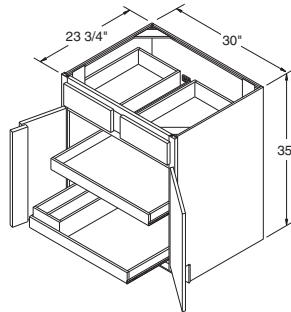
- ▶ Two Roll Trays with center stile attached to left door.
- ▶ Includes removable Pots and Pans Lid Organizer. Lid Organizer is attached to the Roll Tray with two screws for shipping purposes only. Screws should be removed during installation to make the Lid Organizer mobile.

**DESIGN SOLUTIONS**

- Work Zone **3** Cooking.

## Base Cabinet with Double Roll Trays & Lid Organizer, 35" High, 30" Wide, 23<sup>3</sup>/<sub>4</sub>" Deep

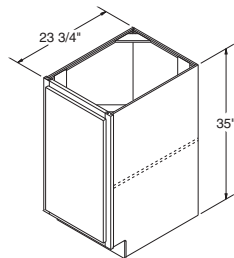
**B30RT-2LO** FX



## Base Cabinets with Full Height Doors, 35" High, 23<sup>3</sup>/<sub>4</sub>" Deep

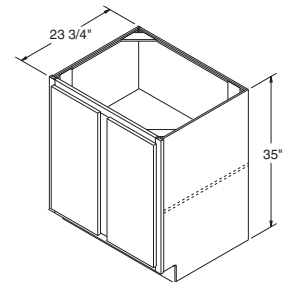
Base Single Door

**B15FH**  
**B18FH**  
**B21FH**  
**B24FH**



Base Double Door

**B30FH**  
**B36FH**



**NOTES** ✓

- ▶ Includes one 3/4" full-depth adjustable shelf.

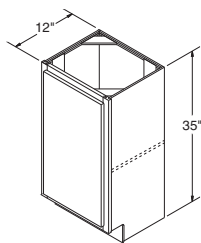
**DESIGN SOLUTIONS**

- Work Zone **3** Cooking.

## Base Cabinets with Full Height Doors, 35" High, 12" Deep

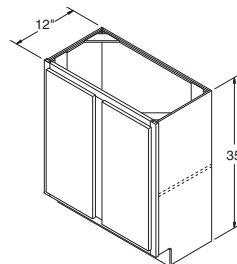
Base Single Door

**B15FH-12**  
**B18FH-12**  
**B21FH-12**  
**BB24FH-12**



Base Double Door

**B30FH-12**  
**B36FH-12**



### NOTES ✓

- ▶ Includes one 3/4" full-depth adjustable shelf.

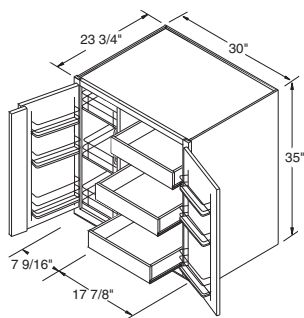
### DESIGN SOLUTIONS

Work Zone **3** Cooking.

- ▶ Use with BEC12 (page 94) to transition from standard 23 3/4" depth to 12" depth.
- ▶ Use in designs to create varying depths in kitchens, islands, hutches, bookcases, offices, and bathrooms.

## Base SuperCabinet™, 35" High, 30" Wide, 23 3/4" Deep (Pullout/Roll Out)

**BSC30PR**



### NOTES ✓

- ▶ SuperCabinet™ doors open 170° to allow sufficient pullout clearance. When installing a SuperCabinet™ near a wall or corner, please allow 12" of adjacent space for proper operation of interior pullouts.
- ▶ Roll Trays are Full Extension side-mounted.
- ▶ Both doors will have a chrome and wood three-tiered rack that is 3 1/4" deep.
- ▶ Includes cabinet top.

### DESIGN SOLUTIONS

Work Zone **1** Food Storage.

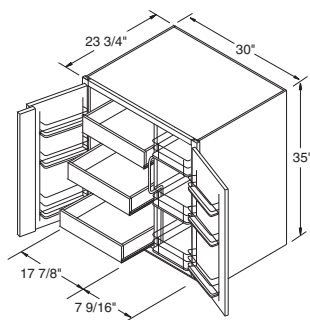
Work Zone **2** Preparation.

Work Zone **3** Cooking.

- ▶ Use F631 when installed against wall or in a corner application.

## Base SuperCabinet™, 35" High, 30" Wide, 23 3/4" Deep (Roll Out/Pullout)

**BSC30RP**



### NOTES ✓

- ▶ SuperCabinet™ doors open 170° to allow sufficient pullout clearance. When installing a SuperCabinet™ near a wall or corner, please allow 12" of adjacent space for proper operation of interior pullouts.
- ▶ Roll Trays are Full Extension side-mounted.
- ▶ Both doors will have a chrome and wood three-tiered rack that is 3 1/4" deep.
- ▶ Includes cabinet top.

### DESIGN SOLUTIONS

Work Zone **1** Food Storage.

Work Zone **2** Preparation.

Work Zone **3** Cooking.

- ▶ Use F631 when installed against wall or in a corner application.

**NOTES** ✓

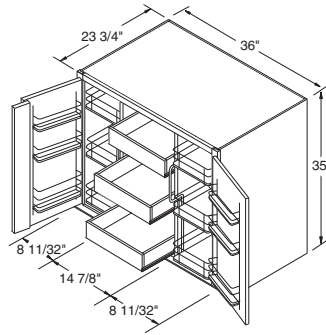
- ▶ SuperCabinet™ doors open 170° to allow sufficient pullout clearance. When installing a SuperCabinet™ near a wall or corner, please allow 12" of adjacent space for proper operation of interior pullouts.
- ▶ Roll Trays are Full Extension side-mounted.
- ▶ Both doors will have a chrome and wood three-tiered rack that is 3 1/4" deep.
- ▶ Includes cabinet top.

**DESIGN SOLUTIONS**

- Work Zone **1** Food Storage.
- Work Zone **2** Preparation.
- Work Zone **3** Cooking.
- ▶ Use F631 when installed against wall or in a corner application.

Base SuperCabinet™, 35" High, 36" Wide, 23 3/4" Deep (Pullout/Roll Out/Pullout)

**BSC36PRP**



**NOTES** ✓

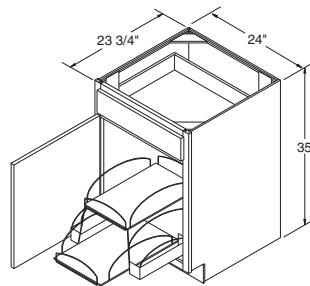
- ▶ Full Extension slide out shelves pull out independently.

**DESIGN SOLUTIONS**

- Work Zone **3** Cooking.
- ▶ For cooking convenience, install next to range/cooktop.

Base Pots and Pans Pullout, 35" High, 24" Wide, 23 3/4" Deep

**BPPP24 FX**



**NOTES** ✓

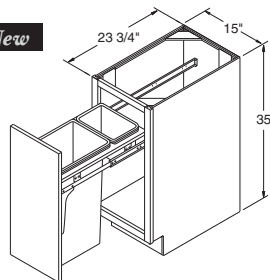
- ▶ BWB15FH has one 50-quart pullout wastebasket and small storage tray on Full Extension guides.

**DESIGN SOLUTIONS**

- Work Zone **4** Cleanup.

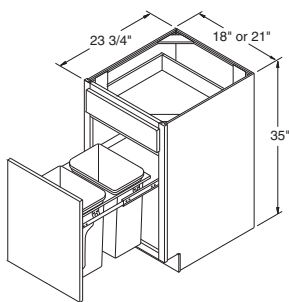
Base Wastebasket with Full Height Door, 35" High, 23 3/4" Deep

**BWB15FH** *New*



### Base Wastebaskets, 35" High, 23<sup>3</sup>/<sub>4</sub>" Deep

**BWB18**  
**BWB21**



**NOTES** ✓

- ▶ BWB18 and BWB21 have two 35-quart pullout wastebaskets on Full Extension guides.

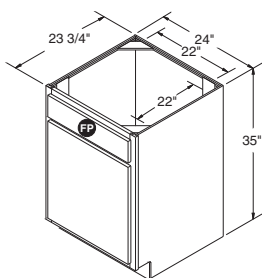
**DESIGN SOLUTIONS**

Work Zone **4** Cleanup.

### Sink/Range Bases, 35" High, 23<sup>3</sup>/<sub>4</sub>" Deep

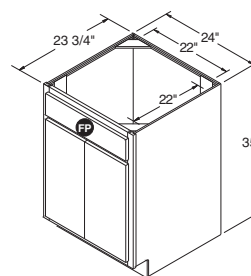
Base Single Door

**SB24**



Base Double Door

**SB24DD**

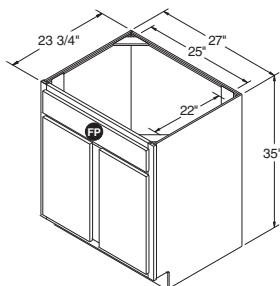


**NOTES** ✓

- ▶ FP = False Panel.
- ▶ It may be necessary to modify the corner braces/stretcher rails with some sink applications.
- ▶ Shelves not included.
- ▶ SB24 has one door, one drawer front, 22" wide space for sink opening, and 22" deep space for sink opening.
- ▶ SB24DD has one drawer front, two doors, 22" wide space for sink opening, and 22" deep space for sink opening.
- ▶ SB27 has one drawer front, two doors with center stile attached to left door, 25" wide space for sink opening, and 22" deep space for sink opening.
- ▶ SB30-SB48 have two doors, two drawer fronts, 28", 31", 34", 37", 40", 43", and 46" wide space for sink opening, and 22" deep space for sink opening.
- ▶ Front Onlys are not available in Sink Bases.

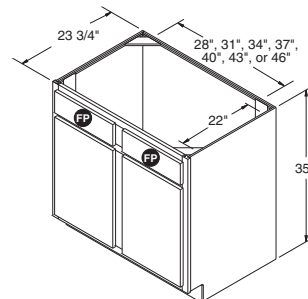
Base Double Door

**SB27**



Base Double Door

**SB30**  
**SB33**  
**SB36**  
**SB39**  
**SB42**  
**SB45**  
**SB48**



**DESIGN SOLUTIONS**

Work Zone **4** Cleanup.

**NOTES** ✓

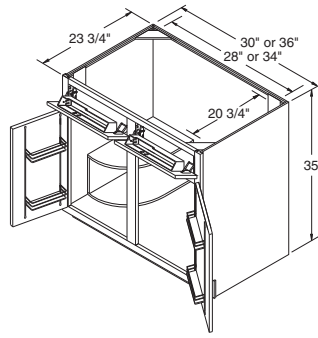
- ▶ Reversible Shelf will be constructed from 3/4" thick laminated furniture board. Shelf shipped secure, can be positioned in left or right corner.
- ▶ Both doors will have a chrome and wood two-tiered rack that is 3 1/4" deep.
- ▶ Includes two installed tip-out trays in false fronts.
- ▶ Quarter round shelf will be natural maple laminate for all styles, including white styles.

**DESIGN SOLUTIONS**

Work Zone **4** Cleanup.

Sink Base SuperCabinet™, 35" High, 23 3/4" Deep

**SB30STS**  
**SB36STS**



**NOTES** ✓

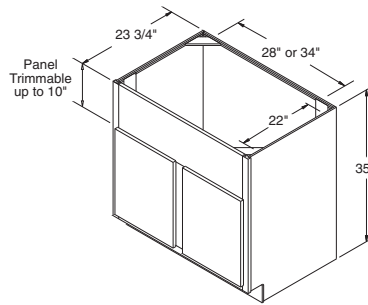
- ▶ It may be necessary to modify the corner braces/stretcher rails with some sink applications.

**DESIGN SOLUTIONS**

Work Zone **4** Cleanup.

Country Sink Bases, 35" High, 23 3/4" Deep

**CNTYSB30** *New*  
**CNTYSB36** *New*



**NOTES** ✓

- ▶ FP = False Panel.

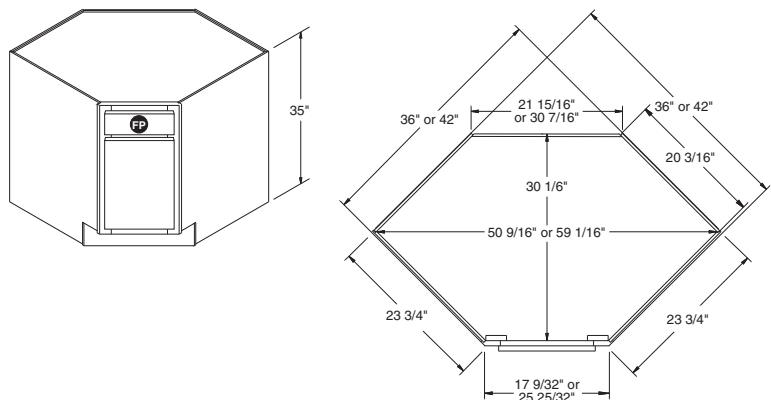
**DESIGN SOLUTIONS**

Work Zone **4** Cleanup..

- ▶ For sufficient dishwasher door clearance and loading/unloading space, a 15" wide base cabinet is recommended for use between sink base diagonal corner cabinet and dishwasher.

Sink Base Diagonal Corner Cabinet, 35" High, 23 3/4" Deep

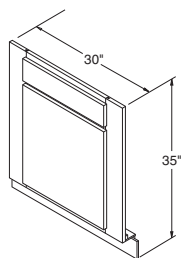
**SBDC36** *New*  
**SBDC42** *New*



### Sink/Range Fronts, 35" High

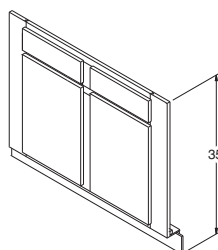
Base Single Door

**SF30**



Base Double Door

**SF36  
SF42  
SF48**

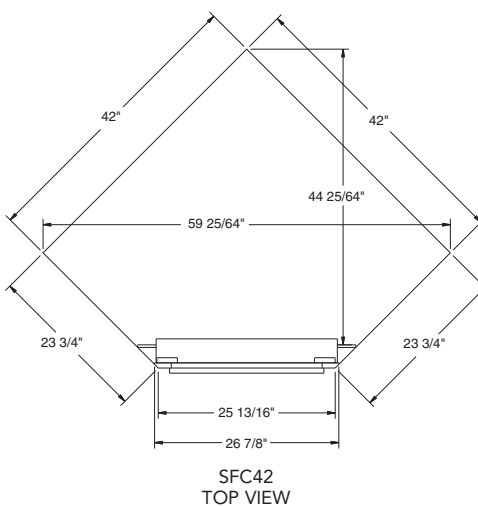
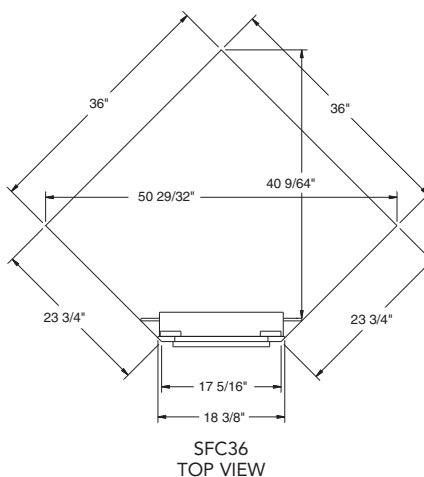
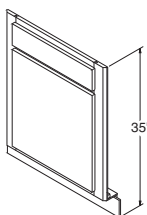


**NOTES** ✓

- ▶ Sink Base floor included with all units.
- ▶ Not trimmable on full overlay styles. Trimmable 3" each side, 6" total on all other styles.
- ▶ SF30 has one door, one drawer front, except full overlay styles which have double doors.
- ▶ SF36–SF48 have two doors and two drawer fronts.

### Sink Front Corners, 35" High

**SFC36  
SFC42**



**NOTES** ✓

- ▶ Sink Base floor included with all units.
- ▶ Toekick is not attached, ships loose.
- ▶ Floor dimensions:  
SFC36 – 3/8" x 36 1/2" x 36 1/2".  
SFC42 – 3/8" x 42 1/2" x 42 1/2".

**DESIGN SOLUTIONS**

- ▶ For sufficient dishwasher door clearance and loading/unloading space, a 15" wide base cabinet is recommended for use between sink front corner and dishwasher.

	Wall Width	Frame	Max Sink Width
SFC36	36" x 36"	17 5/16"	25 3/4"
SFC42	42" x 42"	25 13/16"	34 1/4"

**NOTES** ✓

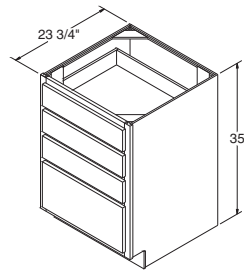
- ▶ Removable plastic Cutlery Tray included in top drawer except in DB12-4.

**DESIGN SOLUTIONS**

Work Zone **3** Cooking.

Four Drawer Bases, 35" High, 23<sup>3</sup>/<sub>4</sub>" Deep

- DB12-4** FX
- DB15-4** FX
- DB18-4** FX
- DB21-4** FX
- DB24-4** FX



**NOTES** ✓

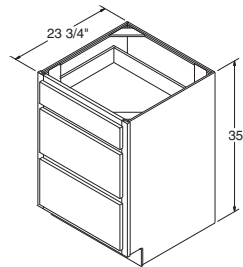
- ▶ Removable plastic Cutlery Tray included in top drawer except in DB12.

**DESIGN SOLUTIONS**

Work Zone **3** Cooking.

Three Drawer Bases, 35" High, 23<sup>3</sup>/<sub>4</sub>" Deep

- DB12** FX
- DB15** FX
- DB18** FX
- DB21** FX
- DB24** FX



**NOTES** ✓

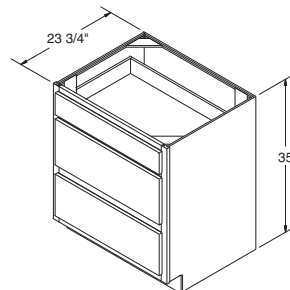
- ▶ LRB36 is recommended for use with Pegged Dish Organizer (PDO) on page 162.
- ▶ PDO can be trimmed in field to fit LRB30.
- ▶ Standard construction features side-mount Full Extension guides on bottom two drawers.
- ▶ Select and Ply Select construction features undermount Full Extension guides on bottom two drawers.
- ▶ FX upgrade features undermount Full Extension guides on all three drawers.

**DESIGN SOLUTIONS**

Work Zone **3** Cooking.

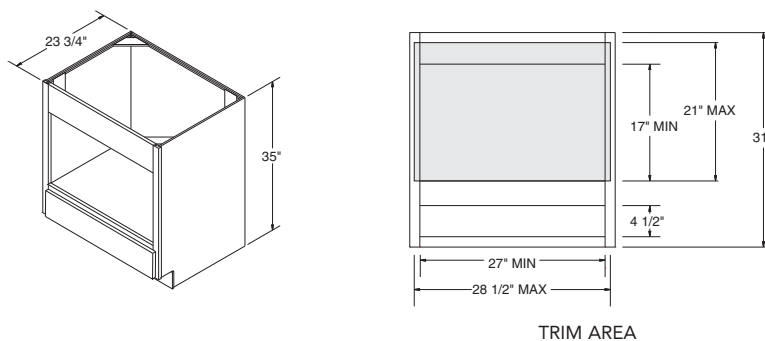
Linen/Range Bases, 35" High, 23<sup>3</sup>/<sub>4</sub>" Deep

- LRB30** FX
- LRB36** FX



**Base Built-In Microwave Cabinet, 35" High, 23<sup>3</sup>/<sub>4</sub>" Deep**

**BMW3035** FX



**NOTES** ✓

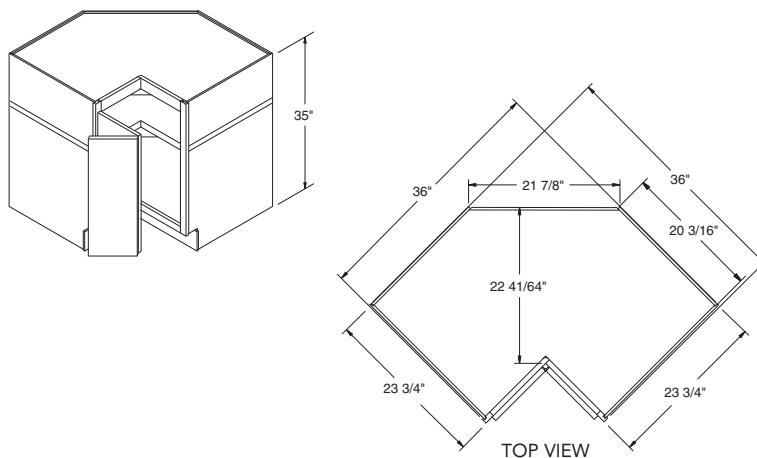
- ▶ Microwave opening is trimmable.
- ▶ Minimum opening – 27" W x 17" H.  
Maximum opening – 28 1/2" W x 21" H.
- ▶ Designed for Built-in Microwaves with trim kits (cabinet has standard Aristex® natural maple or white interior).

**DESIGN SOLUTIONS**

Work Zone **3** Cooking.

**Square Corner/Base Roto Easy Reach, 35" High, 23<sup>3</sup>/<sub>4</sub>" Deep**

**SCER36** \*



**NOTES** ✓

- ▶ One piano-hinged door.
- ▶ Includes magnetic catch.
- ▶ Cannot convert SCER36 to BRER.
- ▶ BRER36 includes two 28" diameter rotating plastic white trays. Each tray has a 60 lb. load capacity.
- ▶ BRER: WARNING! The rotating trays in this cabinet are pre-installed and cannot be removed or replaced. Do not stand on, or apply excessive pressure that could cause a tray to crack or break.

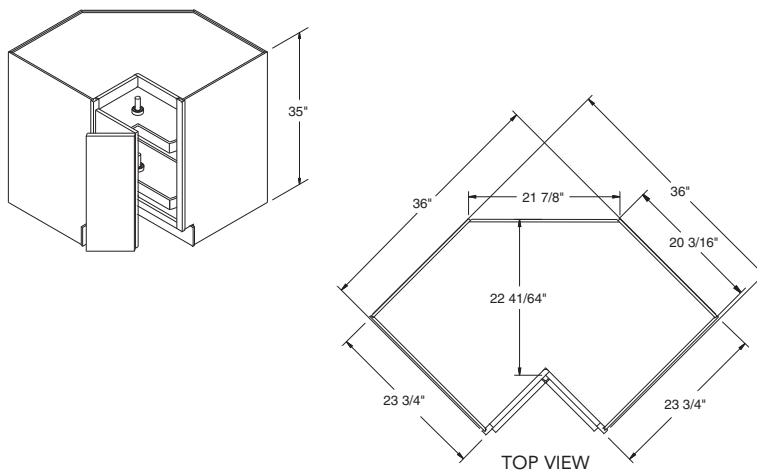
\*Specify L or R for full overlay styles.

**DESIGN SOLUTIONS**

Work Zone **1** Food Storage.

- ▶ Decorative hardware must be countersunk to prevent scratching of adjacent cabinets and face frame of SCER/BRER.

**BRER36** \*



**NOTES** ✓

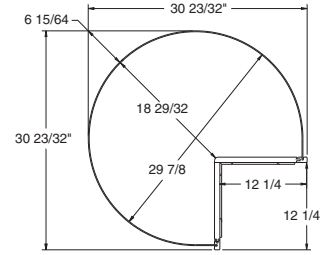
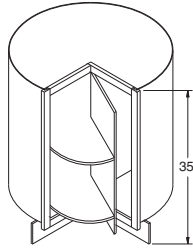
- ▶ One rotating door.
- ▶ Two rotating white shelves.
- ▶ Nominal gap of 1/4" on all sides of door.
- ▶ SCR33 has 17" diameter shelf and holds 20 lbs. per shelf.
- ▶ SCR36 has 27" diameter shelf and holds 60 lbs. per shelf.

**DESIGN SOLUTIONS**

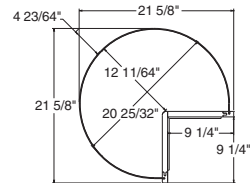
Work Zone **1** Food Storage.

## Square Corner Rotos, 35" High

**SCR33**  
**SCR36**



SCR36 TOP VIEW



SCR33 TOP VIEW

**NOTES** ✓

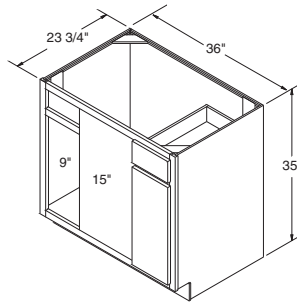
- ▶ One door and one drawer.
- ▶ Half-depth fixed shelf included.
- ▶ All Square Corner Base cabinets are reversible from left blind to right blind.
- ▶ 3" Filler is included with all Square Corner Base cabinets and shipped under toekick or in cabinet. Nantucket, Eastland, Sutherland, Durham, and Wentworth styles come with F331 and OL31.
- ▶ To ensure proper door/drawer clearance, we recommend you do not install appliances next to the blind.
- ▶ Cover panel included for field installation to cover blind opening.
- ▶ See charts on page 93 for pull and filler requirements.

**DESIGN SOLUTIONS**

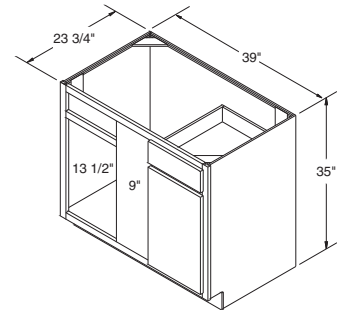
Work Zone **2** Preparation.

## Square Corner Bases, 35" High, 23 3/4" Deep

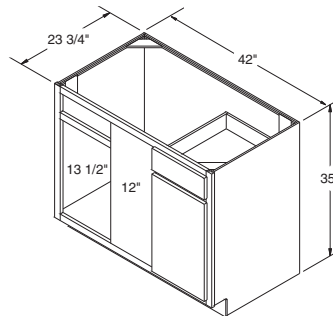
**SCB36** FX



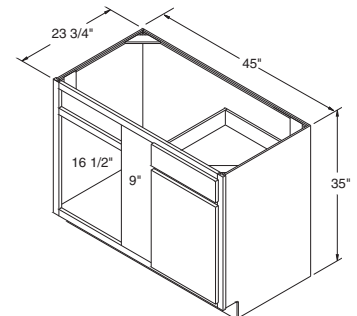
**SCB39** FX



**SCB42** FX

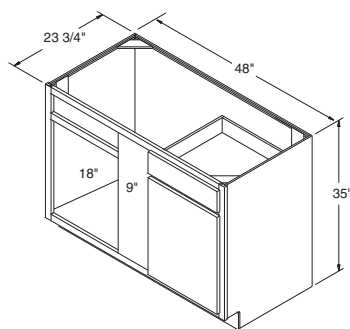


**SCB45** FX



## Square Corner Bases, 35" High, 23<sup>3</sup>/<sub>4</sub>" Deep (continued)

SCB48 FX



### NOTES

- ▶ One door and one drawer.
- ▶ Half-depth fixed shelf included.
- ▶ All Square Corner Base cabinets are reversible from left blind to right blind.
- ▶ 3" Filler is included with all Square Corner Base cabinets and shipped under toekick or in cabinet. Nantucket, Eastland, Sutherland, Durham, and Wentworth styles come with F331 and OL31.
- ▶ To ensure proper door/drawer clearance, we recommend you do not install appliances next to the blind.
- ▶ Cover panel included for field installation to cover blind opening.
- ▶ See charts below for pull and filler requirements.

### DESIGN SOLUTIONS

Work Zone **2** Preparation.

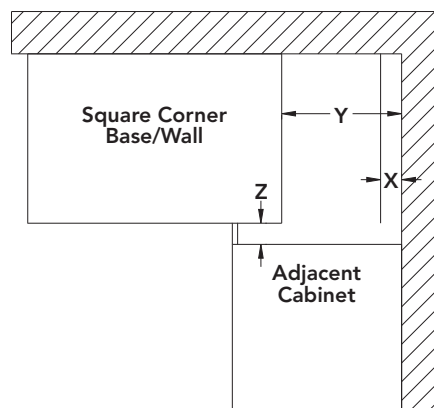
## Square Corner Cabinet Information

Full Overlay Styles Square Corner Base	X		Y	Z	
	Min. Pull	Min. Pull w/Hardware	Max. Pull	Min. Filler Required	Min. Filler Required w/Hardware
SCB36	3/4"	2 1/4"	12 1/2"	1"	2 1/2"
SCB39	2 1/4"	3 3/4"	8"	1"	2 1/2"
SCB42	0"	3/4"	8"	1"	2 1/2"
SCB45	0"	3/4"	5"	1"	2 1/2"
SCB48	0"	0"	3 1/2"	1"	2 1/2"

7/16"-3/4" Overlay Styles Square Corner Base	X		Y	Z	
	Min. Pull	Min. Pull w/Hardware	Max. Pull	Min. Filler Required	Min. Filler Required w/Hardware
SCB36	1/4"	1 3/4"	12 1/2"	1/2"	2"
SCB39	1 3/4"	3 1/4"	8"	1/2"	2"
SCB42	0"	1/4"	8"	1/2"	2"
SCB45	0"	1/4"	5"	1/2"	2"
SCB48	0"	0"	3 1/2"	1/2"	2"

### KEY

- X: Minimum pull for Square Corner cabinets.
- Y: Maximum pull for Square Corner cabinets.
- Z: Minimum filler size required between cabinets.
- ▶ Minimum pull figured when Square Corner Base/Wall or adjacent cabinet doors can open 90 degrees.



**NOTES** ✓

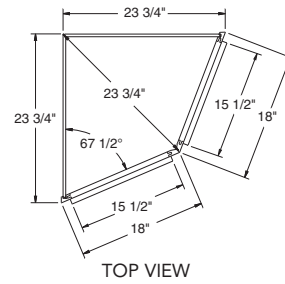
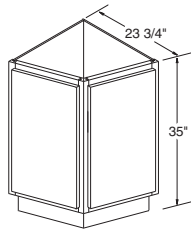
- ▶ Two doors.
- ▶ One fixed shelf.
- ▶ Not designed for stand alone island applications.
- ▶ Ply Select sides are unfinished.

**DESIGN SOLUTIONS**

Work Zone **2** Preparation.

Base End Cabinet, 35" High, 23<sup>3</sup>/<sub>4</sub>" Deep

**BECF24**



**NOTES** ✓

- ▶ Includes one 12" deep fixed shelf.
- ★L or R designation specifies 12" deep side and door hinging.

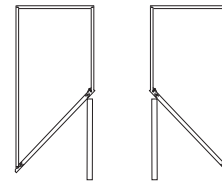
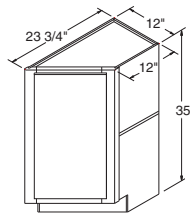
**DESIGN SOLUTIONS**

Work Zone **2** Preparation.

- ▶ Use with 12" deep Base Cabinets to vary depths in a design. (See page 85.)

Base End Cabinet, 35" High, 12" Wide, 23<sup>3</sup>/<sub>4</sub>" Deep

**BEC12 \***



BEC12R BEC12L

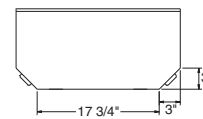
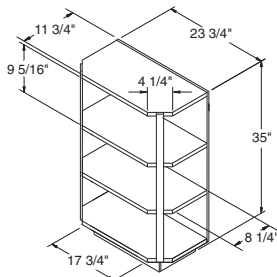
**NOTES** ✓

- ▶ Cabinet includes matching Aristex® interior.
- ▶ When supports are used in the front of the OEB2435, the width increases to 12".
- ▶ Ships unassembled.
- ▶ Finished on top.
- ▶ Order under common style number, not door style number.



Open End Base Cabinet, 35" High, 11<sup>3</sup>/<sub>4</sub>" Wide, 23<sup>3</sup>/<sub>4</sub>" Deep

**OEB2435**

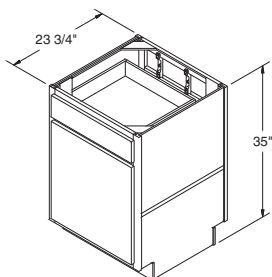


TOP VIEW

## Peninsula Base Cabinets, 35" High, 23<sup>3</sup>/<sub>4</sub>" Deep

Base Single Door

**PB18** FX  
**PB24** FX



### NOTES ✓

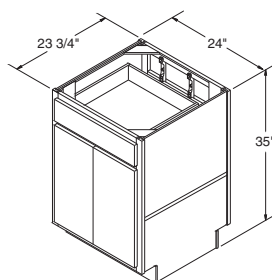
- ▶ Reversible units with one full-depth fixed shelf.
- ▶ Peninsula cabinets not designed to be used as stand alone island cabinets.
- ▶ PB18 and PB24 have two doors, one drawer, and one drawer front.
- ▶ PB24DD has four doors, one drawer, and one drawer front.
- ▶ PB30–PB48 have four doors, two drawers, and two drawer fronts.

### DESIGN SOLUTIONS

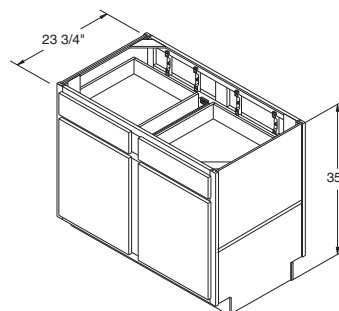
Work Zone **2** Preparation.

Base Double Door

**PB24DD** FX



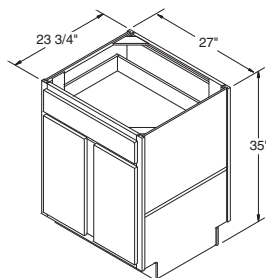
**PB30** FX  
**PB36** FX  
**PB42** FX  
**PB48** FX



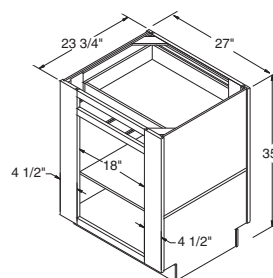
## Peninsula Base Square Corner Cabinets, 35" High, 23<sup>3</sup>/<sub>4</sub>" Deep

Base Double Door

**PBSC27** FX



BACK VIEW



FRONT VIEW

### NOTES ✓

- ▶ 3" Filler included.
- ▶ Reversible unit with one fixed full-depth shelf.
- ▶ Peninsula cabinets not designed to be used as stand alone island cabinets.
- ▶ Cover panel included for field installation.
- ▶ See charts on page 96 for pull and filler requirements.

### DESIGN SOLUTIONS

Work Zone **2** Preparation.

**NOTES** ✓

- ▶ 3" Filler included.
- ▶ Reversible unit with one fixed full-depth shelf.
- ▶ Peninsula cabinets not designed to be used as stand alone island cabinets.
- ▶ Cover panel included for field installation.
- ▶ See charts below for pull and filler requirements.

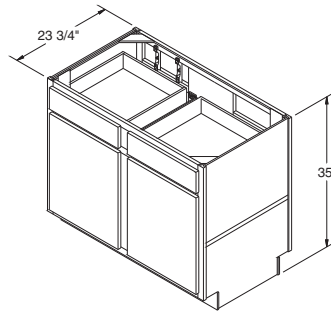
**DESIGN SOLUTIONS**

Work Zone **2** Preparation.

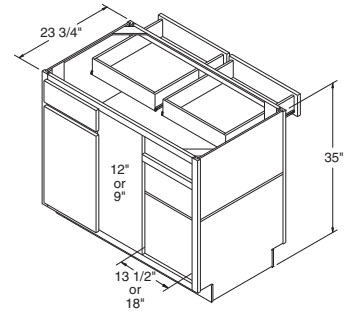
Peninsula Base Square Corner Cabinets, 35" High, 23<sup>3</sup>/<sub>4</sub>" Deep (continued)

Base Double Door

**PBSC42** FX  
**PBSC48** FX



BACK VIEW



FRONT VIEW

Square Corner Cabinet Information

Full Overlay Styles Square Corner Base	X		Y	Z	
	Min. Pull	Min. Pull w/Hardware	Max. Pull	Min. Filler Required	Min. Filler Required w/Hardware
<b>PBSC27</b>	0"	0"	1/2"	1"	2 1/2"
<b>PBSC42</b>	0"	3/4"	8"	1"	2 1/2"
<b>PBSC48</b>	0"	0"	3 1/2"	1"	2 1/2"

7/16"-3/4" Overlay Styles Square Corner Base	X		Y	Z	
	Min. Pull	Min. Pull w/Hardware	Max. Pull	Min. Filler Required	Min. Filler Required w/Hardware
<b>PBSC27</b>	0"	0"	1/2"	1/2"	2"
<b>PBSC42</b>	0"	1/4"	8"	1/2"	2"
<b>PBSC48</b>	0"	0"	3 1/2"	1/2"	2"

