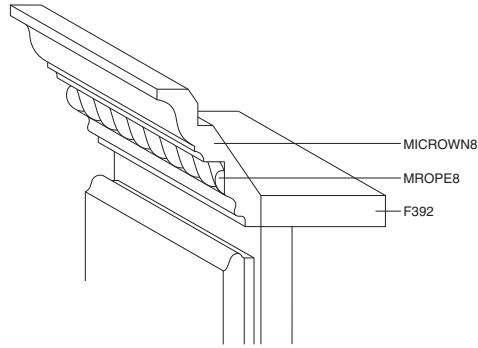


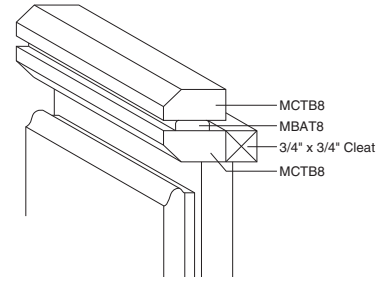
**NOTES** ✓

- ▶ To create the Americana design, start with F392 and add MICROWN8 and MROPE8 insert.
- ▶ To create the Art Linea design, start with MCTB8, add MBAT8 and another MCTB8 and support with cleat.
- ▶ Length of stack 92".

## Americana



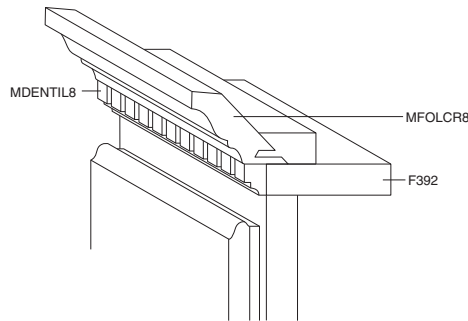
## Art Linea



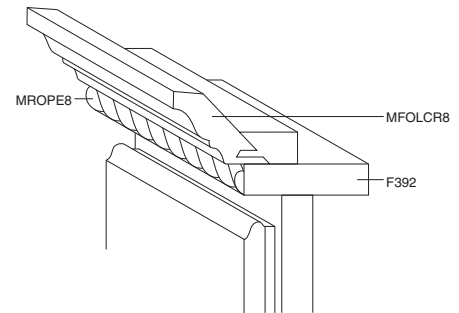
**NOTES** ✓

- ▶ To create the Aztec design, start with F392 and add MFOLCR8 and MDENTIL8 insert.
- ▶ To create the Baroque design, start with F392 and add MFOLCR8 and MROPE8 insert.
- ▶ Length of stack 92".

## Aztec



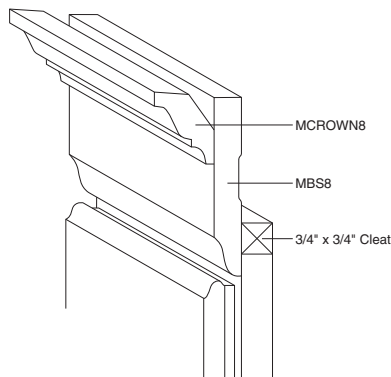
## Baroque



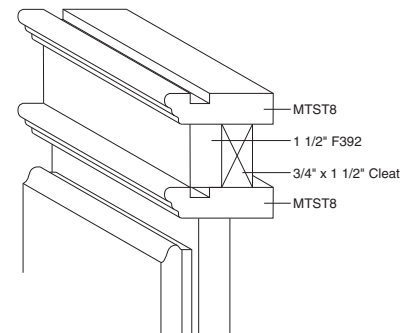
**NOTES** ✓

- ▶ To create the Georgian design, start with MBS8 and add MCROWN8 and support with cleat.
- ▶ To create the Classical design, start with MTST8 and add F392 cut to 1 1/2" and add another MTST8 and support with cleat.
- ▶ Length of stack 92".

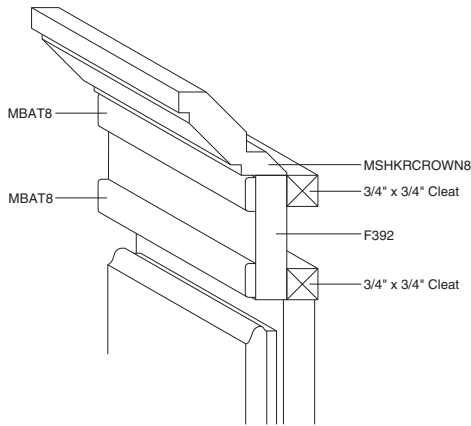
## Georgian



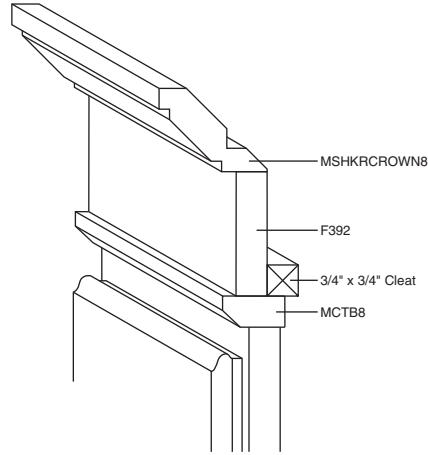
## Classical



**Mission**



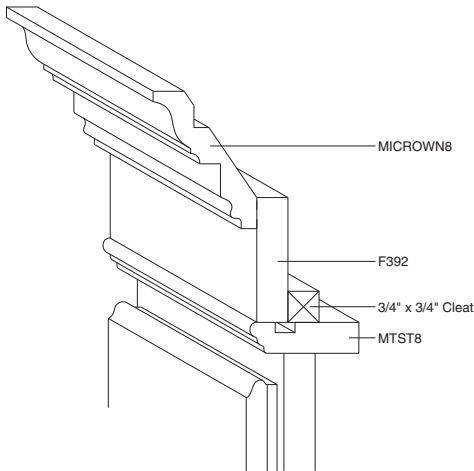
**Monticello**



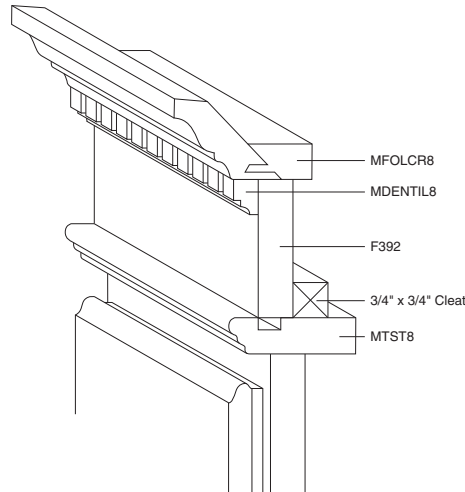
**NOTES** ✓

- ▶ To create the Mission design, start with F392 and add two MBAT8 and MSHKRCROWN8 and support with cleat.
- ▶ To create the Monticello design, start with MCTB8 and add F392 and MSHKRCROWN8 and support with cleat.
- ▶ Length of stack 92".
- ▶ Available in maple finishes only.

**Monarch**



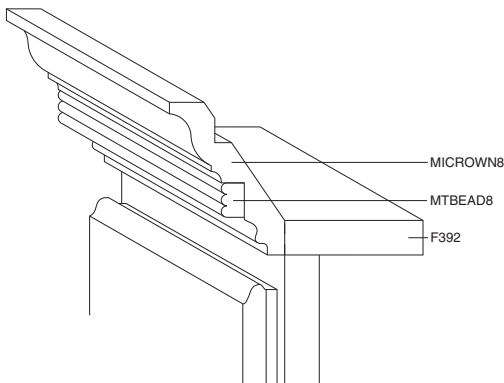
**Regency**



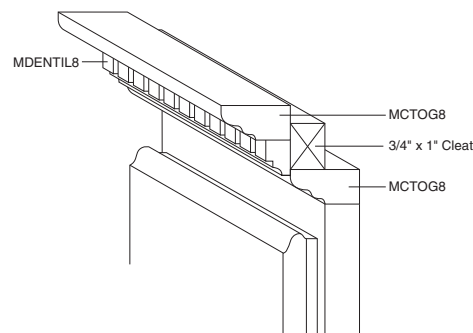
**NOTES** ✓

- ▶ To create the Monarch design, start with MTST8 and add F392 and MICROWN8 and support with cleat.
- ▶ To create the Regency design, start with MTST8 and add F392 and MFOLCR8 and MDENTIL8 insert and support with cleat.
- ▶ Length of stack 92".

**Renaissance**



**Romanesque**



**NOTES** ✓

- ▶ To create the Renaissance design, start with F392 and add MICROWN8 and MTBEAD8 insert.
- ▶ To create the Romanesque design, start with MCTOG8 and add another MCTOG8 and MDENTIL8 insert and support with cleat.
- ▶ Length of stack 92".