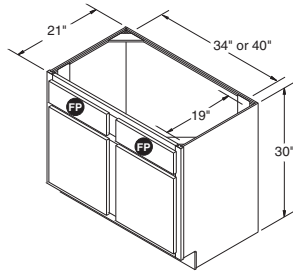
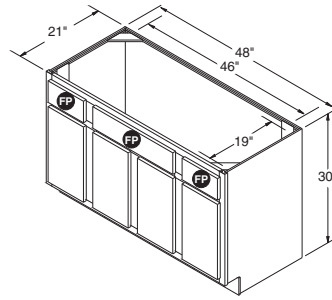


Vanity Console Bases, 30" High, 21" Deep

VCB36
VCB42



VCB48

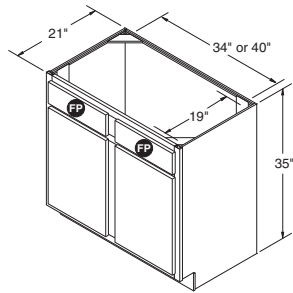


NOTES ✓

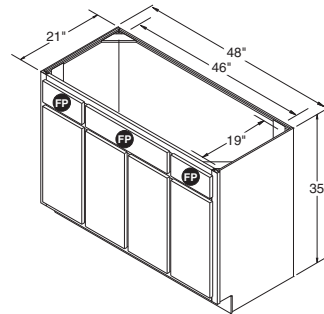
- ▶ Cabinets use standard natural maple interior, excluding white which has a white interior.
- ▶ FP = False Panel.
- ▶ It may be necessary to modify the corner braces/stretcher rails with some sink applications.

Vanity Console Bases, 35" High, 21" Deep

VCB3635
VCB4235



VCB4835

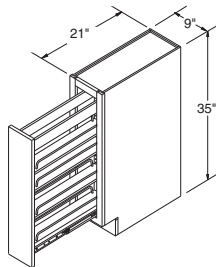


NOTES ✓

- ▶ FP = False Panel.
- ▶ It may be necessary to modify the corner braces/stretcher rails with some sink applications.

Vanity Base Pullout, 35" High, 9" Wide, 21" Deep

VBP0935



NOTES ✓

- ▶ Features a wood pullout unit with adjustable shelves, chrome rail sides, and Full Extension guides.
- ▶ Nantucket and Grayson VBP0935 cabinet doors utilize recessed center panels.

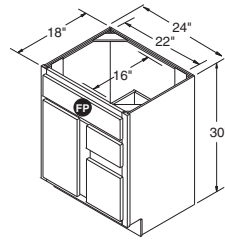
NOTES ✓

- ▶ FP = False Panel.
- ▶ It may be necessary to modify the corner braces/stretcher rails with some sink applications.
- ▶ 18" deep vanities available in Standard construction only.

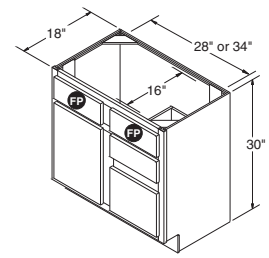
★Specify L or R for which side to locate door.

Vanity Door and Drawer Bases, 30" High, 18" Deep

VDD2418 *



VDD3018 *
VDD3618 *



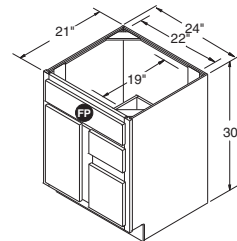
NOTES ✓

- ▶ FP = False Panel.
- ▶ It may be necessary to modify the corner braces/stretcher rails with some sink applications.

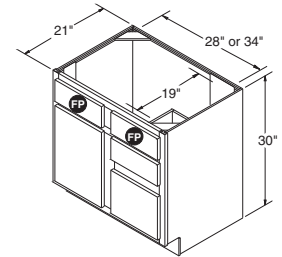
★Specify L or R for which side to locate door.

Vanity Door and Drawer Bases, 30" High, 21" Deep

VDD24^{FX} *



VDD30^{FX} *
VDD36^{FX} *



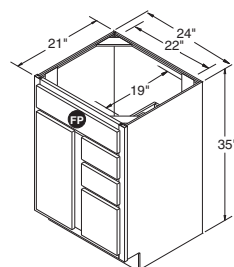
NOTES ✓

- ▶ FP = False Panel.
- ▶ It may be necessary to modify the corner braces/stretcher rails with some sink applications.

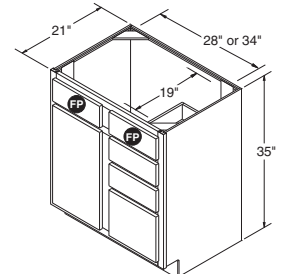
★Specify L or R for which side to locate door.

Vanity Door and Drawer Bases, 35" High, 21" Deep

VDD2435^{FX} *

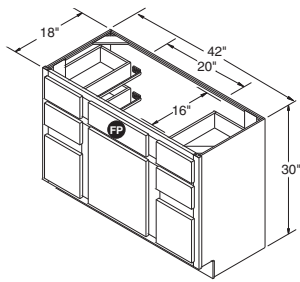


VDD3035^{FX} *
VDD3635^{FX} *

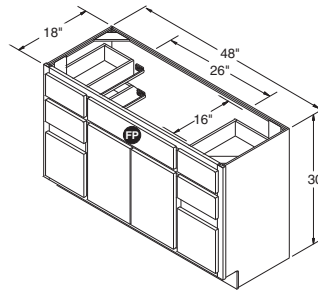


Vanity Double Drawer Bases, 30" High, 18" Deep

VDDB4218



VDDB4818

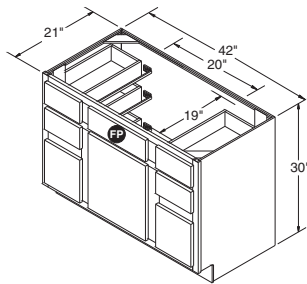


NOTES ✓

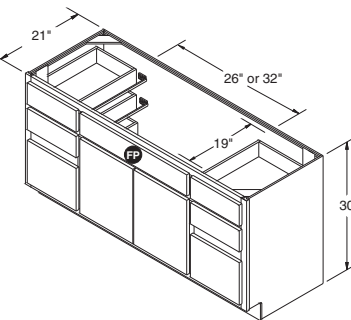
- ▶ FP = False Panel.
- ▶ 18" deep vanities available in Standard construction only.
- ▶ VDDB4818 has butt doors.

Vanity Double Drawer Bases, 30" High, 21" Deep

VDDB42^{FX}



**VDDB48^{FX}
VDDB60^{FX}**

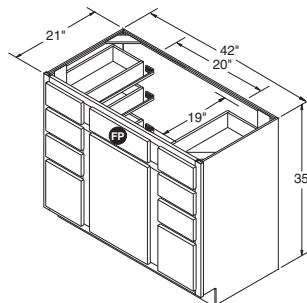


NOTES ✓

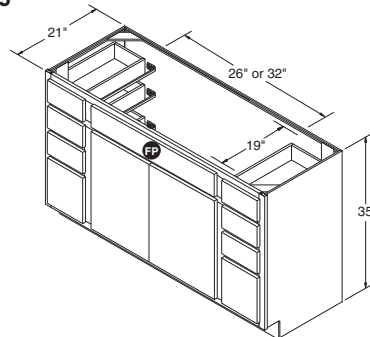
- ▶ FP = False Panel.
- ▶ VDDB48 and VDDB60 have butt doors.

Vanity Double Drawer Bases, 35" High, 21" Deep

VDDB4235^{FX}



**VDDB4835^{FX}
VDDB6035^{FX}**



NOTES ✓

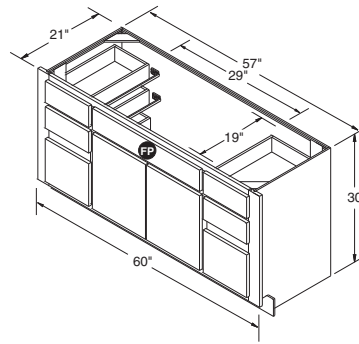
- ▶ FP = False Panel.
- ▶ VDDB4835 and VDDB6035 have butt doors.

NOTES ✓

- ▶ FP = False Panel.
 - ▶ Cabinet is 57" wide.
 - ▶ Front frame is 60" wide.
 - ▶ Front end rails are each 3" and can be trimmed to 1 1/2".
 - ▶ VDDBT60 has butt doors.
- ★ Not available in full overlay door styles or Manchester.

Trimmable Vanity Double Drawer Base, 30" High, 60" Wide, 21" Deep

VDDBT60^{FX} ★

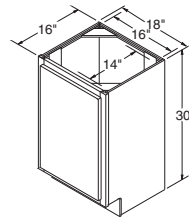


NOTES ✓

- ▶ 16" wide and 14" deep space for sink opening.
- ▶ One full height door.
- ▶ It may be necessary to modify the corner braces/stretcher rails with some sink applications.

Vanity Sink Base, 30" High, 18" Wide, 16" Deep

VSB1816

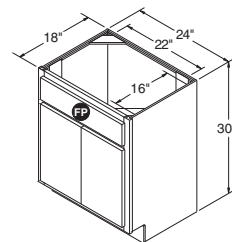


NOTES ✓

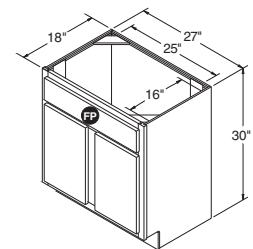
- ▶ FP = False Panel.
- ▶ It may be necessary to modify the corner braces/stretcher rails with some sink applications.
- ▶ 18" deep vanities available in Standard construction only.

Vanity Sink Bases, 30" High, 18" Deep

VSB2418

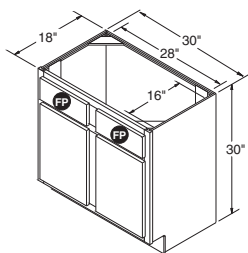


VSB2718

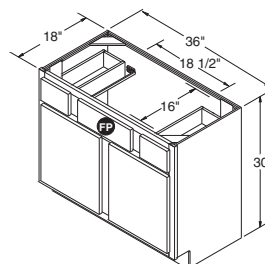


Vanity Sink Bases, 30" High, 18" Deep (continued)

VSB3018



VSB3618

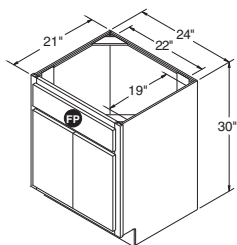


NOTES ✓

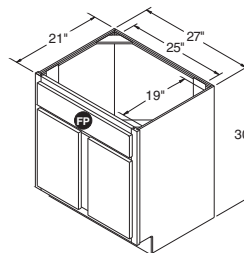
- ▶ FP = False Panel.
- ▶ It may be necessary to modify the corner braces/stretcher rails with some sink applications.
- ▶ 18" deep vanities available in Standard construction only.

Vanity Sink Bases, 30" High, 21" Deep

VSB24



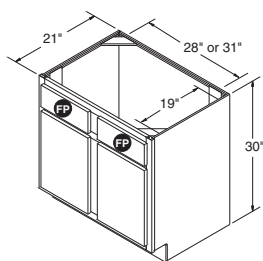
VSB27



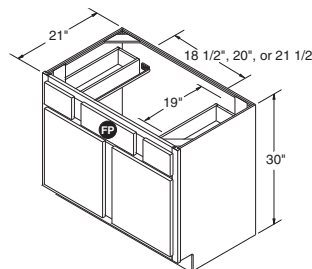
NOTES ✓

- ▶ FP = False Panel.
- ▶ It may be necessary to modify the corner braces/stretcher rails with some sink applications.

VSB30
VSB33



VSB36 FX
VSB39 FX
VSB42 FX

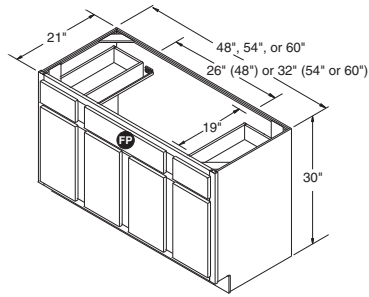


NOTES ✓

- ▶ FP = False Panel.
- ▶ It may be necessary to modify the corner braces/stretcher rails with some sink applications.

Vanity Sink Bases, 30" High, 21" Deep (continued)

VSB48^{FX}
VSB54^{FX}
VSB60^{FX}



NOTES ✓

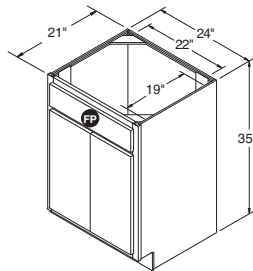
- ▶ FP = False Panel.
- ▶ It may be necessary to modify the corner braces/stretcher rails with some sink applications.

DESIGN SOLUTIONS

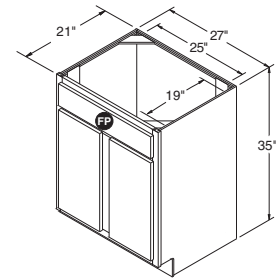
- ▶ Use 35" high Vanity cabinets to vary heights in bathroom designs.

Vanity Sink Bases, 35" High, 21" Deep

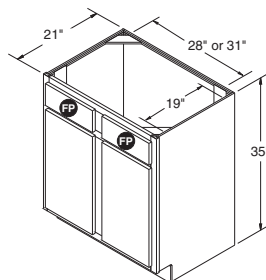
VSB2435



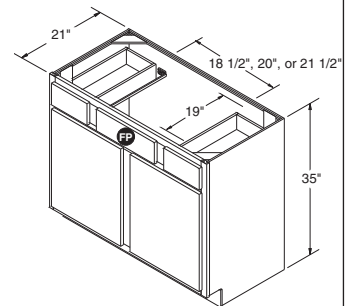
VSB2735



VSB3035
VSB3335

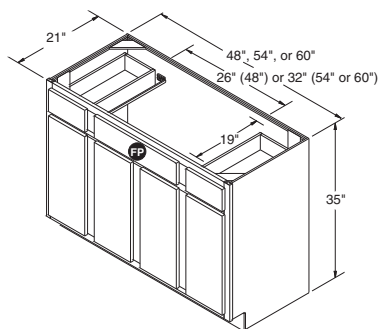


VSB3635^{FX}
VSB3935^{FX}
VSB4235^{FX}



Vanity Sink Bases, 35" High, 21" Deep (continued)

VSB4835^{FX}
VSB5435^{FX}
VSB6035^{FX}



NOTES ✓

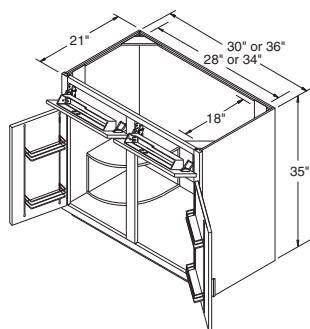
- ▶ FP = False Panel.
- ▶ It may be necessary to modify the corner braces/stretcher rails with some sink applications.

DESIGN SOLUTIONS

- ▶ Use 35" high Vanity cabinets to vary heights in bathroom designs.

Vanity Sink Base SuperCabinet™, 35" High, 21" Deep

VSB3035STS
VSB3635STS

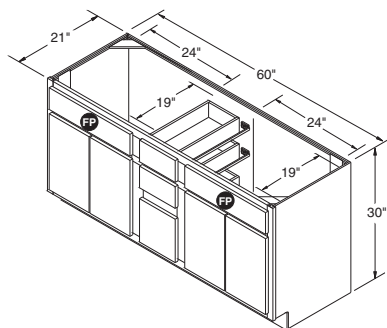


NOTES ✓

- ▶ Reversible Shelf will be constructed from 3/4" thick laminated furniture board. Shelf shipped secure, can be positioned in left or right corner.
- ▶ Both doors will have a chrome and wood two-tiered rack that is 3 1/4" deep.
- ▶ Includes two installed tip-out trays in false fronts.
- ▶ Quarter round shelf will be natural maple laminate for all styles, including white styles.

Vanity Sink Drawer Base, 30" High, 60" Wide, 21" Deep

VSDB60^{FX}



NOTES ✓

- ▶ FP = False Panel.
- ▶ Four doors (two butt each end), three center drawers, two false drawer fronts, 24" wide (each side) and 19" deep space for sink opening (each side).
- ▶ It may be necessary to modify the corner braces/stretcher rails with some sink applications.

NOTES ✓

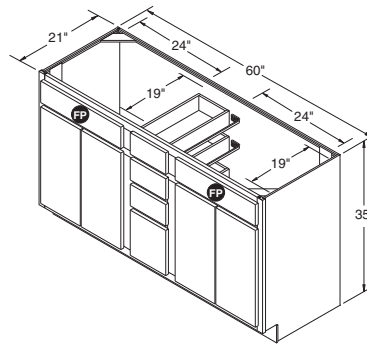
- ▶ FP = False Panel.
- ▶ Four doors (two butt each end), four center drawers, two false drawer fronts, 24" wide (each side) and 19" deep space for sink opening (each side).
- ▶ It may be necessary to modify the corner braces/stretcher rails with some sink applications.

DESIGN SOLUTIONS

- ▶ Use 35" high Vanity cabinets as an easy upgrade for a Master Bath.

Vanity Sink Drawer Base, 35" High, 60" Wide, 21" Deep

VSDB6035^{FX}

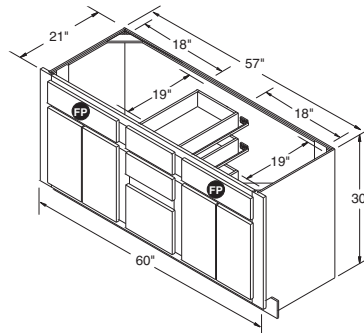


NOTES ✓

- ▶ FP = False Panel.
 - ▶ Four doors (two butt each end), three center drawers, two false drawer fronts, 18" wide (each side) and 19" deep space for sink opening (each side).
 - ▶ Cabinet is 57" wide.
 - ▶ Front frame is 60" wide.
 - ▶ Front end rails are each 3" and can be trimmed 1 1/2" each.
- *Not available in full overlay door styles.

Trimmable Vanity Sink Drawer Base, 30" High, 60" Wide, 21" Deep

VSDBT60^{FX} *

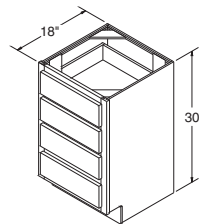


NOTES ✓

- ▶ 18" deep vanities available in Standard construction only.

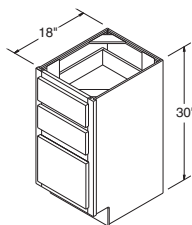
Vanity Four Drawer Bases, 30" High, 18" Deep

VDB1218-4
VDB1518-4
VDB1818-4



Vanity Three Drawer Bases, 30" High, 18" Deep

VDB1218
VDB1518
VDB1818

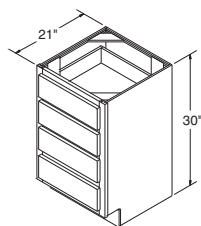


NOTES ✓

- ▶ The bottom drawer box is 6 3/8" high for Standard and 8" high for Select and Ply Select.
- ▶ 18" deep vanities available in Standard construction only.

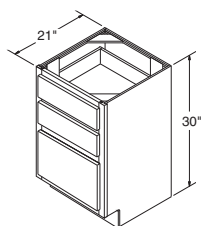
Vanity Four Drawer Bases, 30" High, 21" Deep

VDB12-4^{FX}
VDB15-4^{FX}
VDB18-4^{FX}
VDB21-4^{FX}
VDB24-4^{FX}



Vanity Three Drawer Bases, 30" High, 21" Deep

VDB12^{FX}
VDB15^{FX}
VDB18^{FX}
VDB21^{FX}
VDB24^{FX}



NOTES ✓

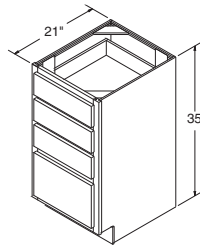
- ▶ The bottom drawer box is 6 3/8" high for Standard and 7 3/4" high for Select and Ply Select.

DESIGN SOLUTIONS

► Use 35" high Vanity cabinets to vary heights in bathroom designs.

Vanity Four Drawer Bases, 35" High, 21" Deep

- VDB1235-4** ^{FX}
- VDB1535-4** ^{FX}
- VDB1835-4** ^{FX}
- VDB2135-4** ^{FX}
- VDB2435-4** ^{FX}



NOTES ✓

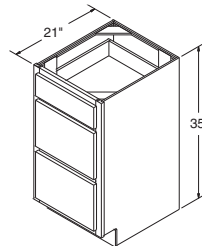
► The bottom drawer box is 6 3/8" high for Standard and 7 3/4" high for Select and Ply Select.

DESIGN SOLUTIONS

► Use 35" high Vanity cabinets as an easy upgrade for a Master Bath.

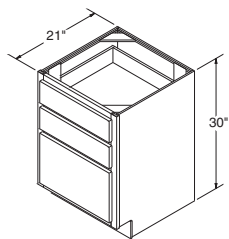
Vanity Three Drawer Bases, 35" High, 21" Deep

- VDB1235** ^{FX}
- VDB1535** ^{FX}
- VDB1835** ^{FX}
- VDB2135** ^{FX}
- VDB2435** ^{FX}

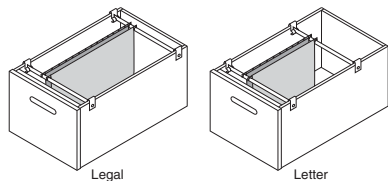


Vanity File Drawer Bases, 30" High, 21" Deep

VFD18^{FX}
VFD21^{FX}



Standard/Select/Ply Select Construction



NOTES ✓

- ▶ The bottom drawer box is deep for standard 8 1/2" x 11" files and includes two adjustable hanging rods and four hanging clips.
- ▶ Bottom file drawer has 3/4 extension guides.
- ▶ Interior dimension for undermount file drawer is:
VFD18 – 13 1/16" W x 16 5/8" D x 9 1/4" H.
VFD21 – 16 1/16" W x 16 5/8" D x 9 1/4" H.
- ▶ Interior dimension for standard file drawer is:
VFD18 – 12 31/32" W x 19" D x 9 5/8" H.
VFD21 – 15 31/32" W x 19" D x 9 5/8" H.
- ▶ Accommodates both letter and legal documents.

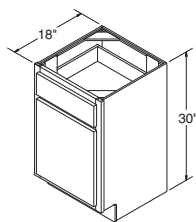
DESIGN SOLUTIONS

Work Zone **5** Household Planning.

- ▶ Use Other Room cabinets, such as Bookcases, Activity Centers, and File Drawers, to coordinate with the kitchen to create new workspaces or other areas of interest throughout the home.

Vanity Bases, 30" High, 18" Deep

VB1218
VB1518
VB1818



NOTES ✓

- ▶ Half-depth fixed shelf.
- ▶ 18" deep vanities available in Standard construction only.

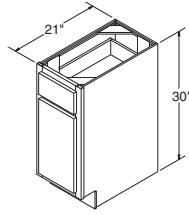
NOTES ✓

▶ Half-depth fixed shelf.

Vanity Bases, 30" High, 21" Deep

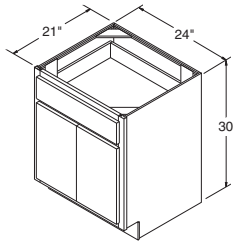
Single Door

VB12^{FX}
VB15^{FX}
VB18^{FX}

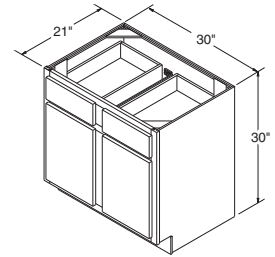


Double Door

VB24^{FX}



VB30^{FX}



NOTES ✓

▶ Half-depth fixed shelf.

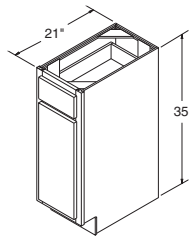
DESIGN SOLUTIONS

▶ Use 35" high Vanity cabinets to vary heights in bathroom designs.

Vanity Bases, 35" High, 21" Deep

Single Door

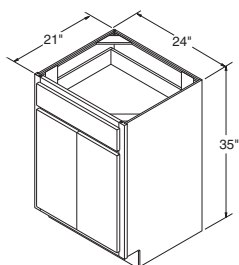
VB1235^{FX}
VB1535^{FX}
VB1835^{FX}



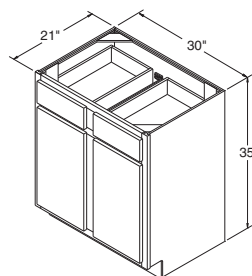
Vanity Bases, 35" High, 21" Deep (continued)

Double Door

VB2435^{FX}



VB3035^{FX}



NOTES ✓

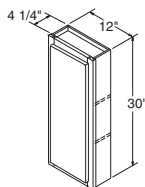
- ▶ Half-depth fixed shelf.

DESIGN SOLUTIONS

- ▶ Use 35" high Vanity cabinets to vary heights in bathroom designs.

Vanity Wall Cabinet, 30" High, 12" Wide, 4 1/4" Deep

VWC12 *



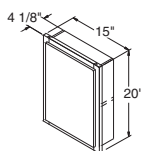
NOTES ✓

- ▶ Two adjustable 1/2" thick shelves.
- ▶ Must be surface mounted.
- ▶ Only available in Standard construction.

*Specify L or R on all Arch styles. Doors will be Arch when ordering these styles.

Vanity Wall Cabinet, 20" High, 15" Wide, 4 1/8" Deep

VWC1520 *



NOTES ✓

- ▶ Must be recess mounted.
- ▶ Cut out dimensions: 13 5/8" W x 18 5/8" H x 3 3/8" D
- ▶ Only available in Standard construction.

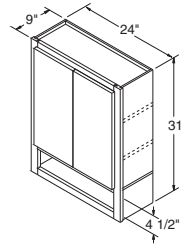
*Specify L or R on all Arch styles. Doors will be Arch when ordering these styles.

NOTES ✓

- ▶ Interior color is the same as exterior color.
- ▶ Two butt doors, open shelf.
- ▶ Two adjustable 3/4" thick shelves.
- ▶ Not available on Eastland Arch or Nantucket Arch.
- ▶ Includes plastic U-shaped hinge spacers for better door alignment.
- ▶ Only available in Standard construction.

Vanity Tank Topper, 31" High, 24" Wide, 9" Deep

VTT24



NOTES ✓

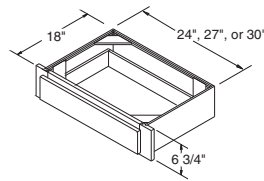
- ▶ Cabinets may not feature matching exterior laminate, so installation between two adjacent cabinets, walls, and/or panels is recommended.
- ▶ Face frame trimmable 3" overall, 1 1/2" on each side.
- ▶ 18" deep vanity drawers available in Standard construction only.

Vanity Drawer Trimmable, 18" Deep (Trimmable 3")

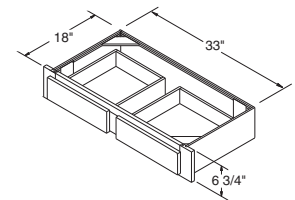
Single Drawer

Double Drawer

VDT2718
VDT3018
VDT3318



VDT3618



NOTES ✓

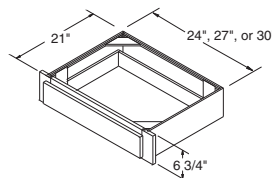
- ▶ Cabinets may not feature matching exterior laminate, so installation between two adjacent cabinets, walls, and/or panels is recommended.
- ▶ Face frame trimmable 3" overall, 1 1/2" on each side.

Vanity Drawer Trimmable, 21" Deep (Trimmable 3")

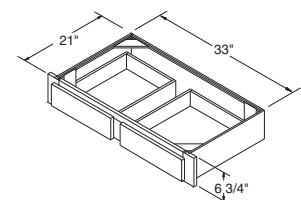
Single Drawer

Double Drawer

VDT27 FX
VDT30 FX
VDT33 FX

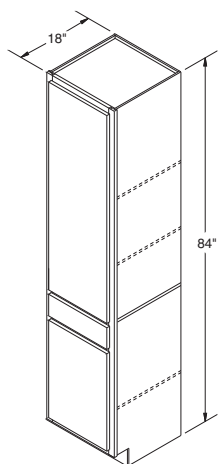


VDT36 FX



Linens Closet with Drawer, 84" High, 18" Deep

LCD1818 *
LCD2418 *



NOTES ✓

- ▶ Two doors and one drawer.
- ▶ Top door will be an Arch in applicable styles.
- ▶ Upper doors cannot be cut for glass.
- ▶ Includes adjustable shelves, two in top section, one in bottom section and one fixed shelf.
- ▶ Drawer front height aligns with standard 35" Base cabinet drawer front.
- ▶ Large openings on miter door styles will be two doors doweled together.
- ▶ 18" deep vanities available in Standard construction only.

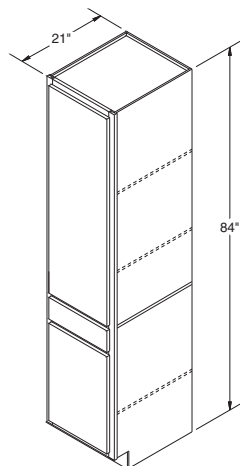
*Specify L or R on all styles.

DESIGN SOLUTIONS

Work Zone **5** Household Planning.

Linens Closet with Drawer, 84" High, 21" Deep

LCD18^{FX} *
LCD24^{FX} *



NOTES ✓

- ▶ Two doors and one drawer.
- ▶ Top door will be an Arch in applicable styles.
- ▶ Upper doors cannot be cut for glass.
- ▶ Includes adjustable shelves, two in top section, one in bottom section and one fixed shelf.
- ▶ Drawer front height aligns with standard 35" Base cabinet drawer front.
- ▶ Large openings on miter door styles will be two doors doweled together.

*Specify L or R on all styles.

DESIGN SOLUTIONS

Work Zone **5** Household Planning.

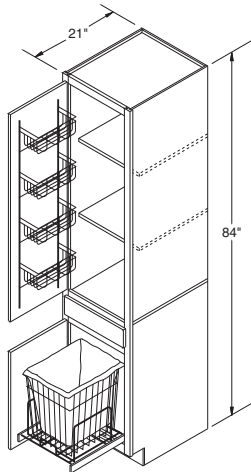
NOTES ✓

- ▶ Two doors and one drawer.
- ▶ Top door will be an Arch in applicable styles.
- ▶ Upper doors cannot be cut for glass.
- ▶ Includes two adjustable shelves and 5" deep chrome door rack.
- ▶ Drawer front height aligns with standard 35" Base cabinet drawer front.
- ▶ Large openings on miter door styles will be two doors doweled together.
- ▶ Includes Full Extension removable chrome pullout Hamper with removable cloth liner.

★Specify L or R on all styles.

Linen Closet SuperCabinet™ with Removable Hamper, 84" High, 21" Deep

LCD18SC^{FX} ★



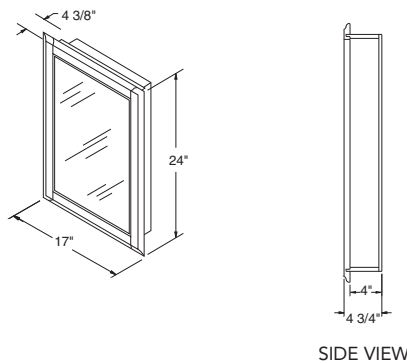
NOTES ✓

- ▶ Interior of cabinet is white for all styles.
- ▶ One mirrored door with oak, cherry, hickory, or maple frame.
- ▶ Can be surface or recess mounted.
- ▶ Box made of white formed plastic.
- ▶ Includes two adjustable shelves and one adjustable toothbrush shelf (plastic).
- ▶ Cabinet is reversible.
- ▶ Cut out for recess:
14 1/4" W x 2 1/4" D x 21" H.



Vanity Medicine Cabinet, 24" High, 17" Wide, 4 3/8" Deep

VMC1724



SIDE VIEW

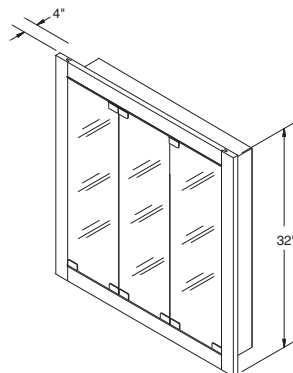
NOTES ✓

- ▶ Three mirrored doors.
- ▶ Solid wood face frame.
- ▶ Can be surface or recess mounted.
- ▶ Chrome touch latches and hinges are used on doors.
- ▶ Box exterior matches face frame.
- ▶ Three fixed shelves.
- ▶ Cut out for recess:
VTMC2432 – 21 5/8" W x 3 15/16" D x 29 3/8" H.
VTMC3032 – 27 5/8" W x 3 15/16" D x 29 3/8" H.
VTMC3632 – 33 5/8" W x 3 15/16" D x 29 3/8" H.
VTMC4832 – 45 5/8" W x 3 15/16" D x 29 3/8" H.



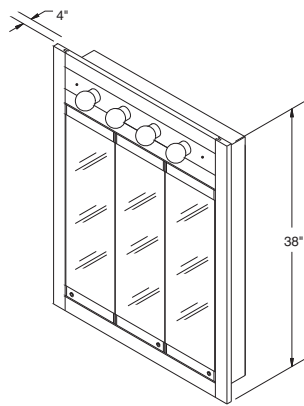
Vanity Tri-View Medicine Cabinet, 32" High, 4" Deep

**VTMC2432
VTMC3032
VTMC3632
VTMC4832**

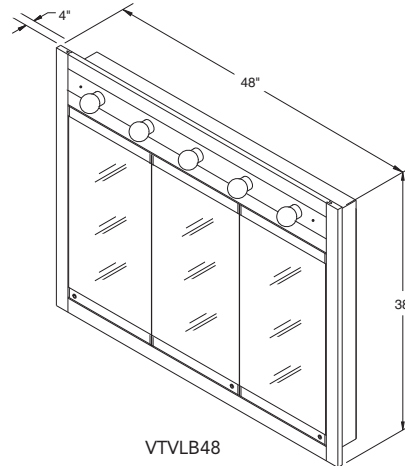


Vanity Tri-View Medicine Cabinet/Light Bar Combination (Contemporary),
4" Deep

VTVLB30
VTVLB36
VTVLB48



VTVLB30 & VTVLB36



VTVLB48

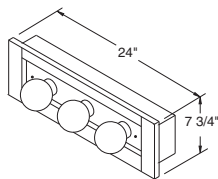
NOTES ✓

- ▶ Can be surface or recess mounted.
- ▶ Predrilled for Pulls.
- ▶ Includes solid wood face frame, wood veneer back plate, polished brass plated light cups, three polished brass plated Pulls, two brass nuts, and three mirror doors with solid wood trim.
- ▶ 60W bulbs required (not included) UL approved.
- ▶ Three fixed shelves.
- ▶ VTVLB30 and VTVLB36 have 4 lights.
- ▶ VTVLB48 has 5 lights.
- ▶ Cut out for recess:
VTVLB30 – 27 9/16" x 35 7/8".
VTVLB36 – 33 9/16" x 35 7/8".
VTVLB48 – 45 9/16" x 35 7/8".
- ▶ Chrome light cup can be used to replace the standard polished brass light cups on the contemporary light bars in order to match faucet or bathroom trim decor. See LBCC on page 131.

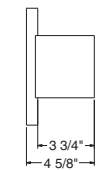


Vanity Light Bars (Contemporary)

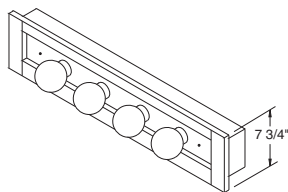
VCLB24
VCLB30
VCLB36
VCLB48



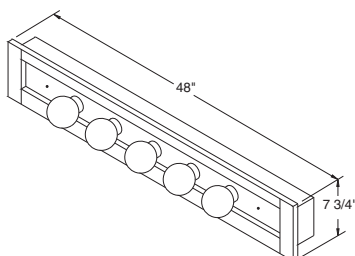
VCLB24



SIDE VIEW



VCLB30 & VCLB36



VCLB48

NOTES ✓

- ▶ Light bars can be recess mounted.
- ▶ When recessed, light fixture protrudes approximately 1/2" from the wall.
- ▶ Includes solid wood trim with matching wood back plate and polished brass plated light cups.
- ▶ Light box is unfinished metal.
- ▶ Chrome light cups are available and can be used to replace the standard polished brass light cups on the contemporary light bars in order to match faucet or bathroom trim decor. See LBCC on page 131.
- ▶ 60W bulbs required (not included).
- ▶ UL approved.
- ▶ Cut out for recess:
VCLB24 – 20 1/4" W x 4 3/8" H x 3 15/16" D.
VCLB30 – 26 1/4" W x 4 3/8" H x 3 15/16" D.
VCLB36 – 32 1/4" W x 4 3/8" H x 3 15/16" D.
VCLB48 – 44 1/4" W x 4 3/8" H x 3 15/16" D.



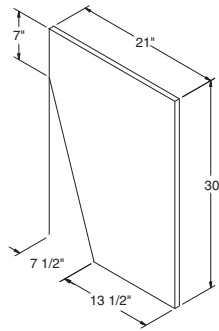
NOTES ✓

- ▶ 3/4" thick.
- ▶ Veneer panel with front edge banded.



Vanity Tapered End Panel, 30" High, 21" Deep

VTEP

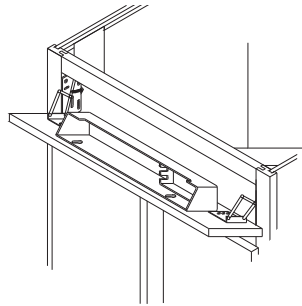


NOTES ✓

- ▶ White plastic storage accessory tray.
- ▶ Kit includes two hinges for installation.
- ▶ If LTOTs are used on full overlay style, it is recommended that a Pull be used.
- ▶ See matrix on page 132 to determine which cabinets LTOT will fit.
- ▶ Order under style #010.
- ▶ LTOT11 is 11" (White).
- ▶ LTOT14 is 14" (White).

Lavatory Tip-Out Trays

**LTOT11
LTOT14**

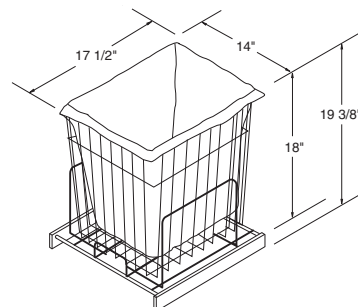


NOTES ✓

- ▶ Full Extension removable chrome pullout Hamper with removable cloth liner.
- ▶ See matrix on page 132 to determine which cabinets VHR18 will fit.
- ▶ Order under style #010.

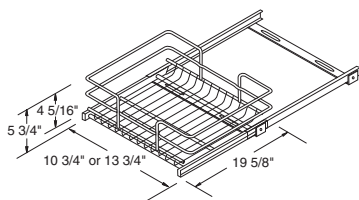
Vanity Hamper

VHR18



Vanity Chrome Roll Out Racks

VCRR1521
VCRR1821

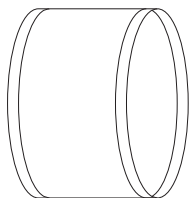


NOTES ✓

- ▶ Roll Out is Full Extension.
- ▶ Requires installation to a fixed shelf or cabinet bottom in a 21" or 24" deep cabinet.
- ▶ See matrix on page 132 to determine which cabinets VCRR1521 or VCRR1821 will fit.
- ▶ Order under style #010.

Optional Chrome Cup for Contemporary Vanity Light Bars

LBCC

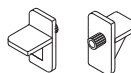
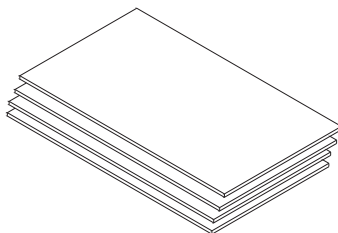


NOTES ✓

- ▶ Chrome light cup can be used to replace the standard polished brass light cups on the contemporary light bars in order to match faucet or bathroom trim decor.
- ▶ One chrome nut included with each chrome cup for use on back plate attachment.
- ▶ Order under style #010.

Linen Closet Shelf Kits

LKS18
LKS18WH
LKS24
LKS24WH
LKS18C
LKS18CWH
LKS24C
LKS24CWH



NOTES ✓

- ▶ Four shelves with clips.
- ▶ Shelves can be trimmed to accommodate 18" deep linen closets.
- ▶ Natural maple laminate or specify LKS_ _WH to match white interiors.
- ▶ Order under style #010.
- ▶ Dimensions:
LKS18/LKS18WH – 1/2" T x 16 1/2" W x 20 3/16" D.
LKS24/LKS24WH – 1/2" T x 22 1/2" W x 20 3/16" D.
LKS18C/LKS18CWH – 3/4" T x 16 1/2" W x 20 3/16" D.
LKS24C/LKS24CWH – 3/4" T x 22 1/2" W x 20 3/16" D.

NOTES ✓

KEY

- | Can be installed without modification to cabinet.
- Not applicable.

Accessory Matrix

Cabinet	LTOT11	LTOT14	VHR18	VCRR1521	VCRR1821
LCD185C	•	•	Standard	•	•
VB1818	•	•	•	•	•
VB18	•	•	•		
VB24	•	•	•		
VCB36			•		
VCB42			•		
VCB48			•	•	•
VCB3635					
VCB4235					
VCB4835			•	•	•
VDD2418			•	•	•
VDD3018		•	•	•	•
VDD3618			•	•	•
VDD24			•	•	•
VDD30		•	•		•
VDD36			•		
VDD2435			•	•	•
VDD3035		•	•		•
VDD3635					
Vddb4218			•	•	•
Vddb4818			•	•	•
Vddb42			•		
Vddb48			•		
Vddb60			•		
Vddb4235					
Vddb4835					
Vddb6035					
VddbT60			•		
VSb2418			•	•	•
VSb24	•		•	•	•
VSb27			•	•	•
VSb30		•	•		•
VSb33		•	•		•
VSb36		•	•		
VSb39		•	•		
VSb42	•		•		
VSb48	•		•	•	•
VSb54		•	•		•
VSb60			•		
VSb2435	•		•	•	•
VSb2735			•	•	•
VSb3035		•	•		•
VSb3335		•	•		•
VSb3635		•			
VSb3935		•			
VSb4235	•				
VSb4835	•		•	•	•
VSb5435		•	•		•
VSb6035					
VSb3035STS	Standard	•	•	•	•
VSb3635STS	•	Standard	•	•	•
Vsdb60	•		•		
Vsdb6035	•				
VsdbT60	•		•		